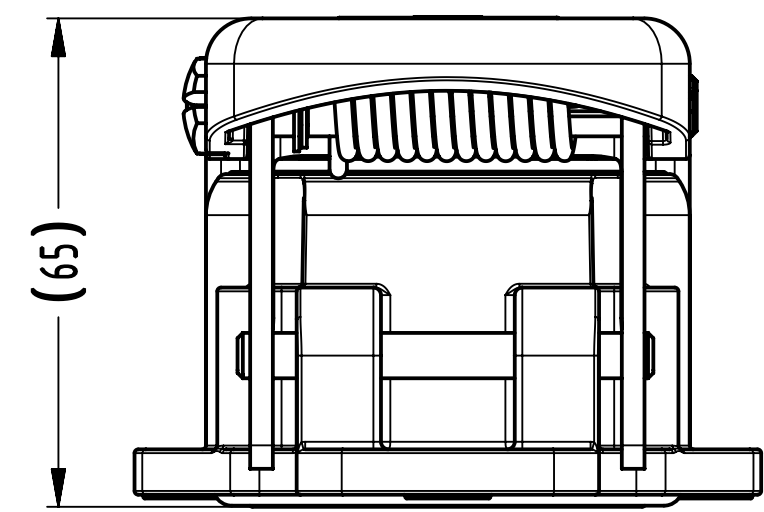
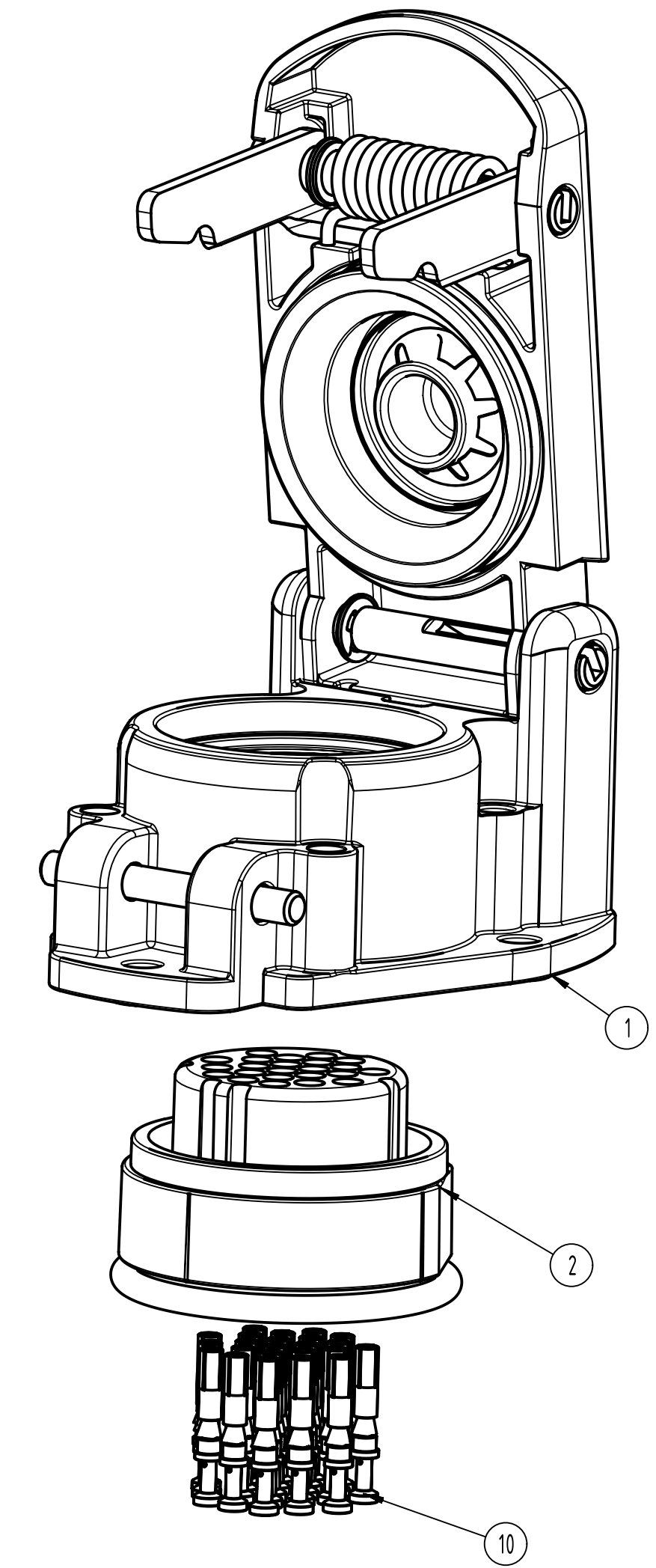
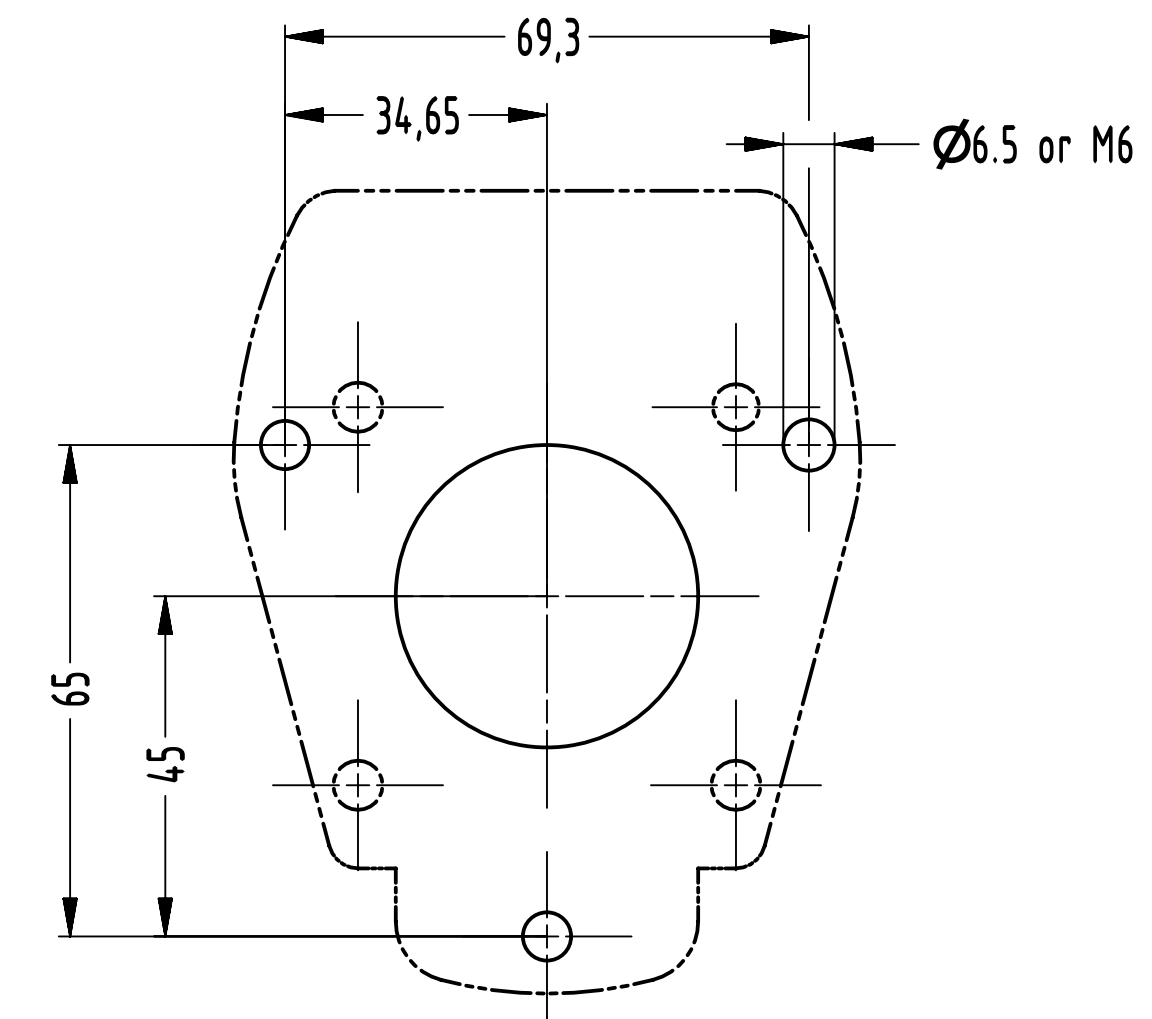
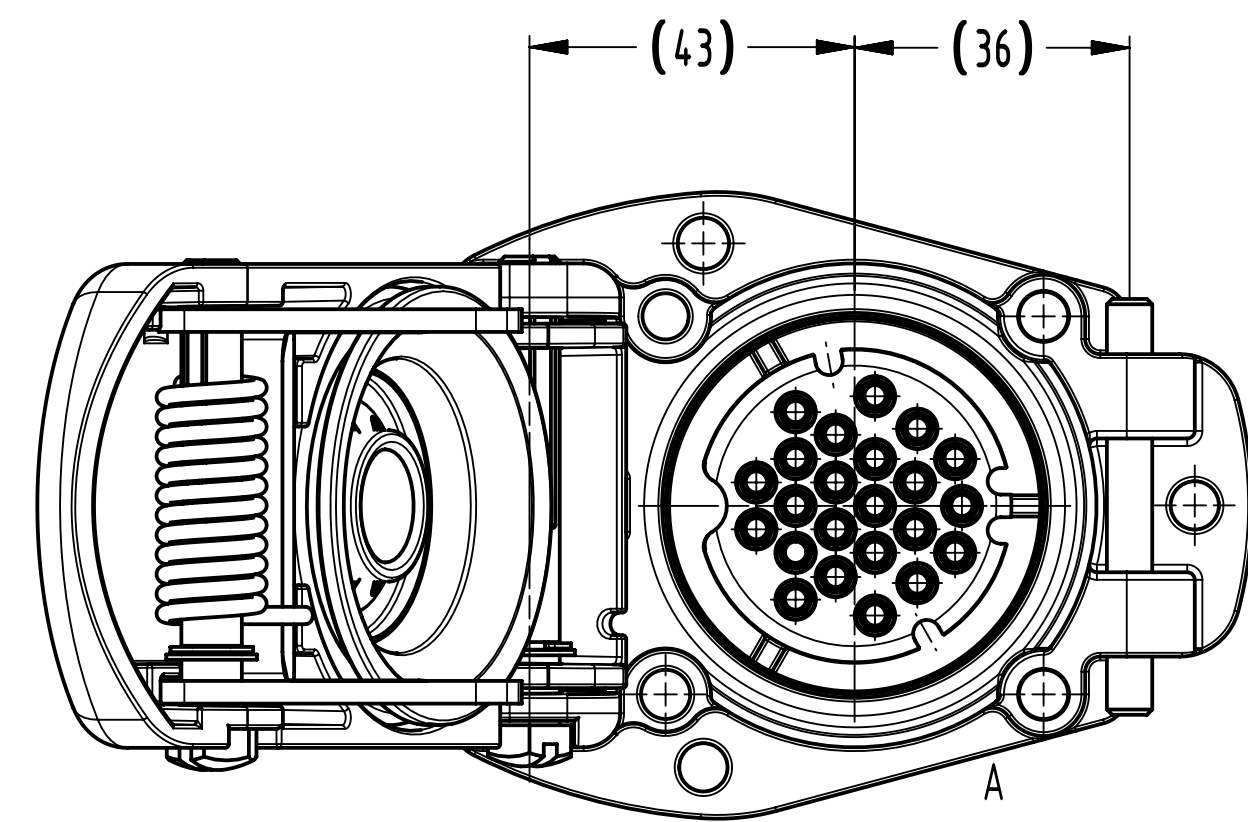


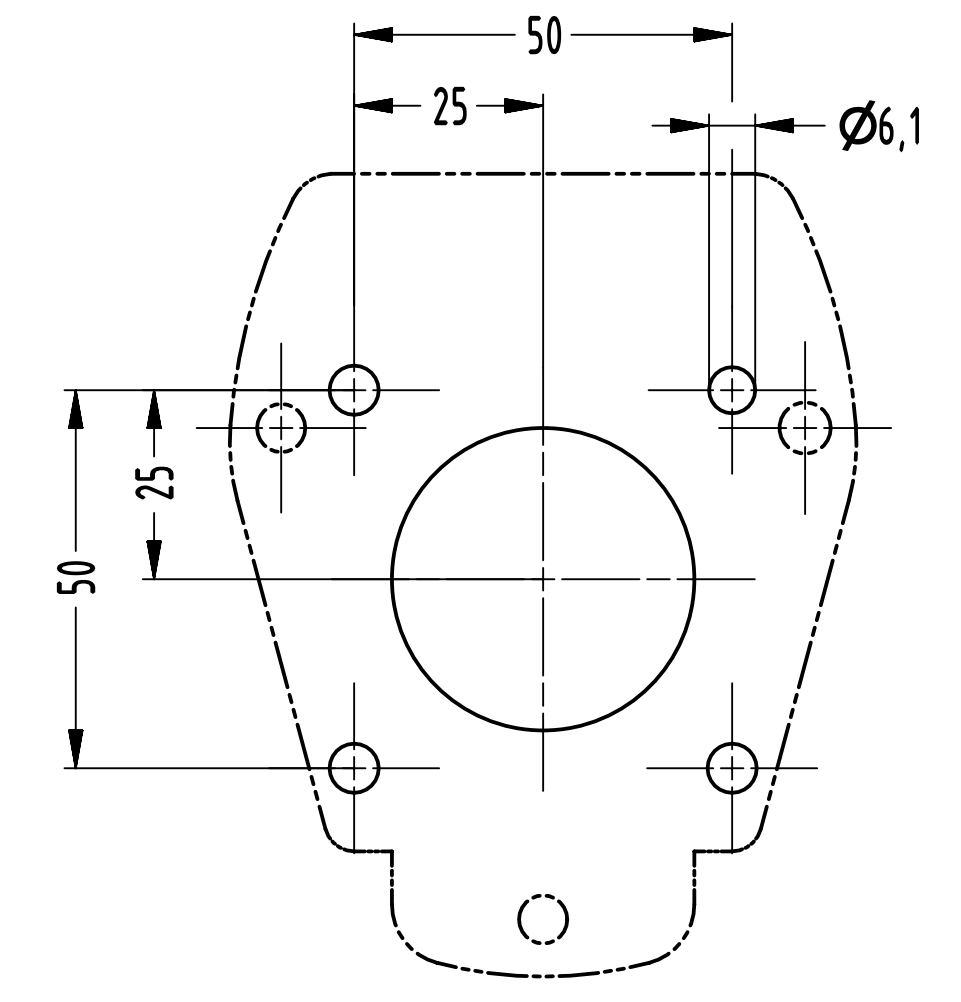
Lid at opened condition



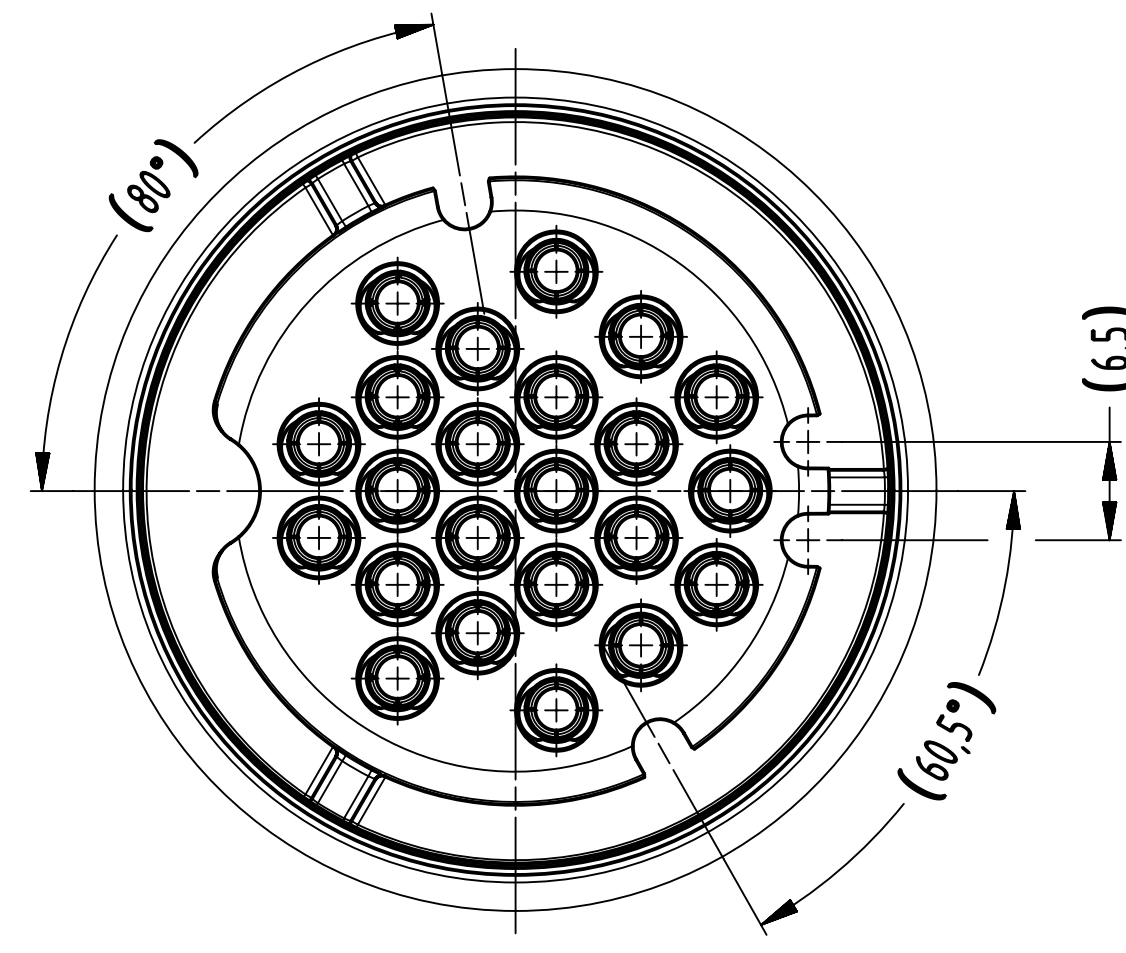
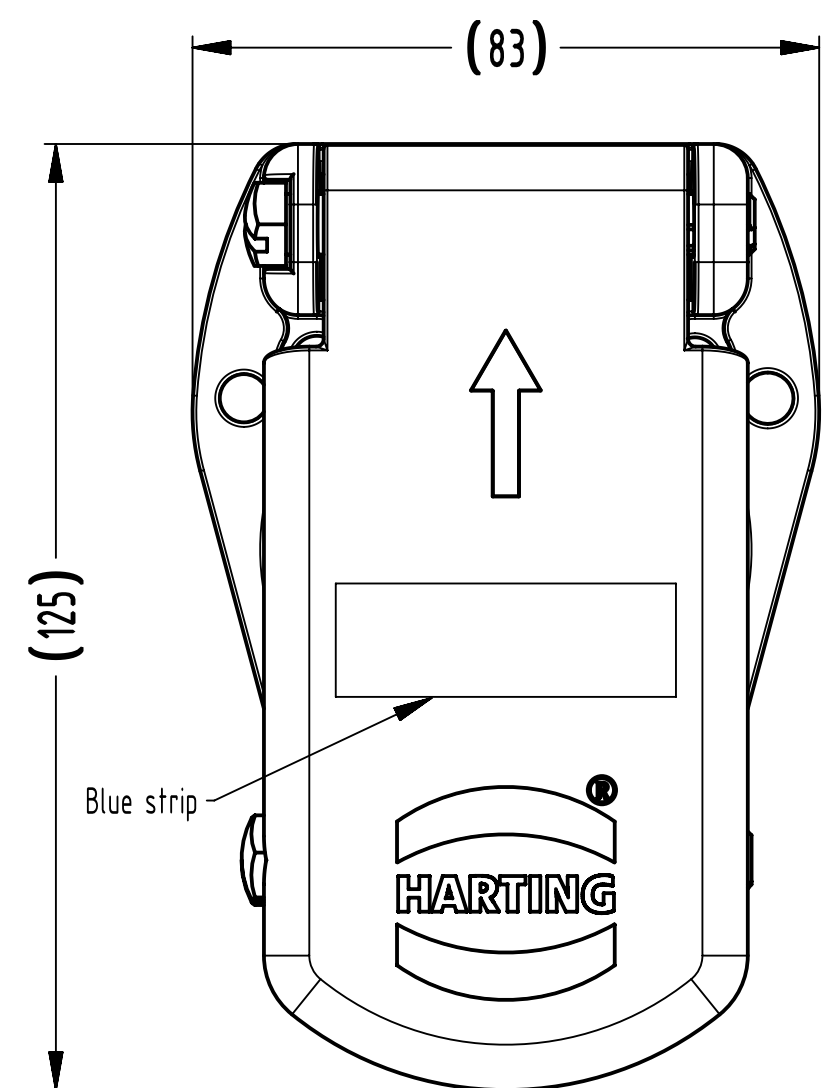
Lid at closed condition



3 Hole mounting



4 Hole mounting



A (2:1)

S. No.	Part number	Part Description	UOM	QTY/ ASSY
1	09 58 001 0303	UIC558-HBM/CM-22PIN	PC	1
2	09 58 022 3101	UIC558-22PIN-FI-CRT	PC	1
3	09 58 000 6405	UIC558-FC-CRT-0.75-1.0 mm <sup>2</sup> /18 AWG-AU	PC	23

Refer data sheet for product specification.

	All Dimensions in mm Original Size DIN A1	Scale 1:1	Free size tol. ISO 8015	Ref. Sub.
	All rights reserved Department EL PD	Created by 60472 Krichbaum	Inspected by 402933 Krichbaum	Standarisat ROEBEN Stoeben
HARTING D-32339 Espelkamp		Title UIC 558 22PIN SOCKET KIT-FC-AU		Date 2021-12-21
		Type TB	Number 09 58 022 1013	State Final Release
		Doc-Key / ECM-Nr. 100953045/USD/000/A 10000020781		Page 1/1